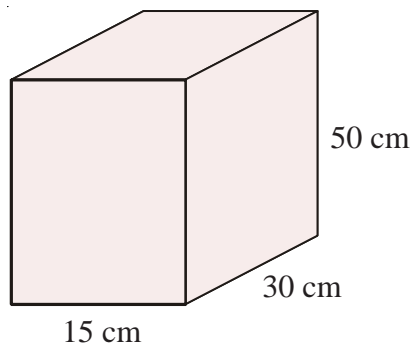


Volume of a Prism

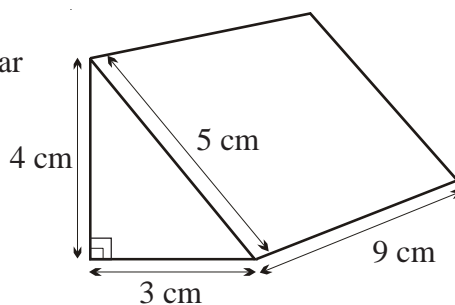


- 1) The diagram shows a cuboid.

Work out the volume of the cuboid.

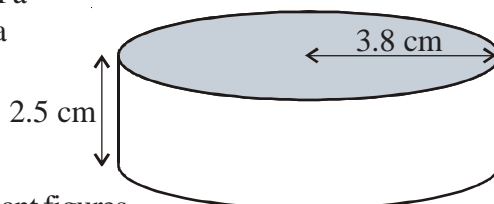


- 2) Calculate the volume of this triangular prism.



- 3) An ice hockey puck is in the shape of a cylinder with a radius of 3.8 cm and a thickness of 2.5 cm.

Work out the volume of the puck.
Give your answer correct to 3 significant figures.

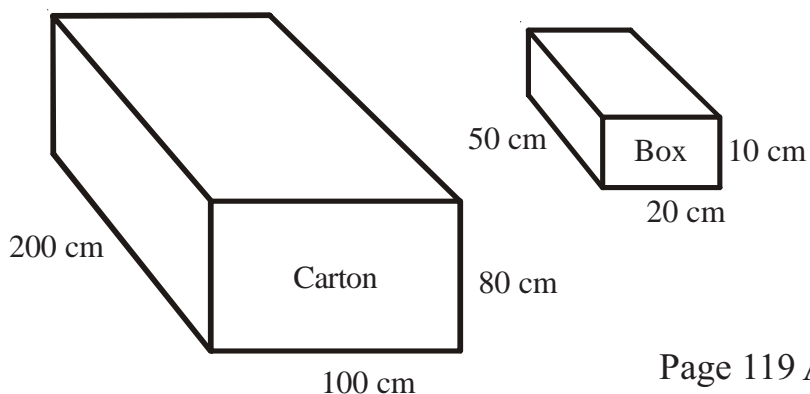


- 4) A cuboid has: a volume of 80cm^3
a length of 5 cm
a width of 2 cm

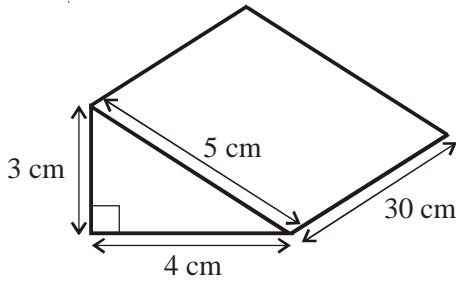
Work out the height of the cuboid.



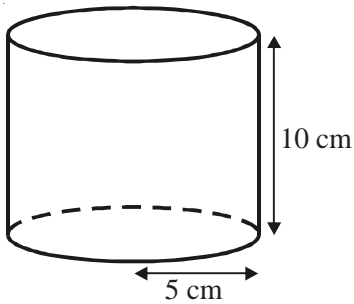
- 5) Work out the maximum number of boxes which can fit in the carton.



1) Work out the volume of the prism.

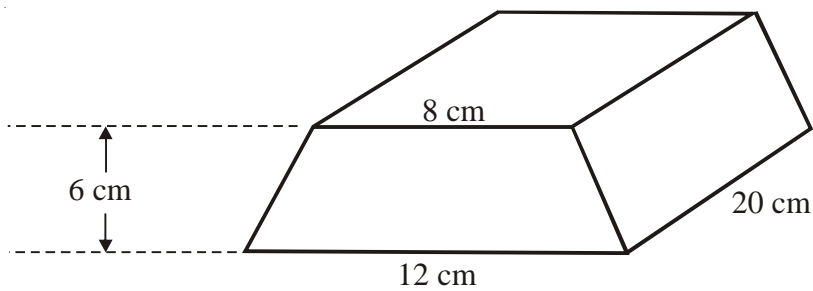


2)



A solid cylinder has a radius of 5 cm and a height of 10 cm.
 Work out the volume of the cylinder.
 Give your answer correct to 3 significant figures.

3)



The diagram shows a solid prism made from metal.
 The cross-section of the prism is a trapezium.

Find the volume of the prism.
 You must state your units.