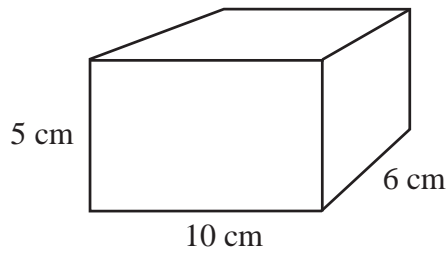
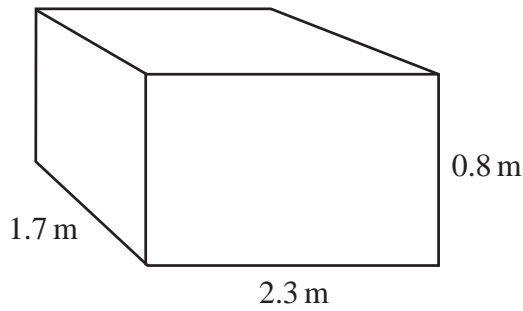


Volume of a Cuboid

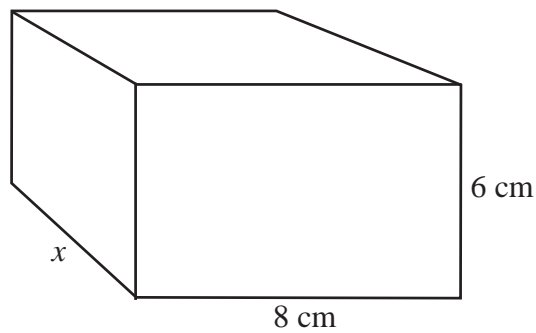
- 1) Find the volume of this cuboid.



- 2) Find the volume of this cuboid.



- 3) The volume of this cuboid is 480 cm^3 .
 Find the length of the side marked x .



- 4) Boxes A and B are both cuboids.
 How many of box B could be packed into box A ?

